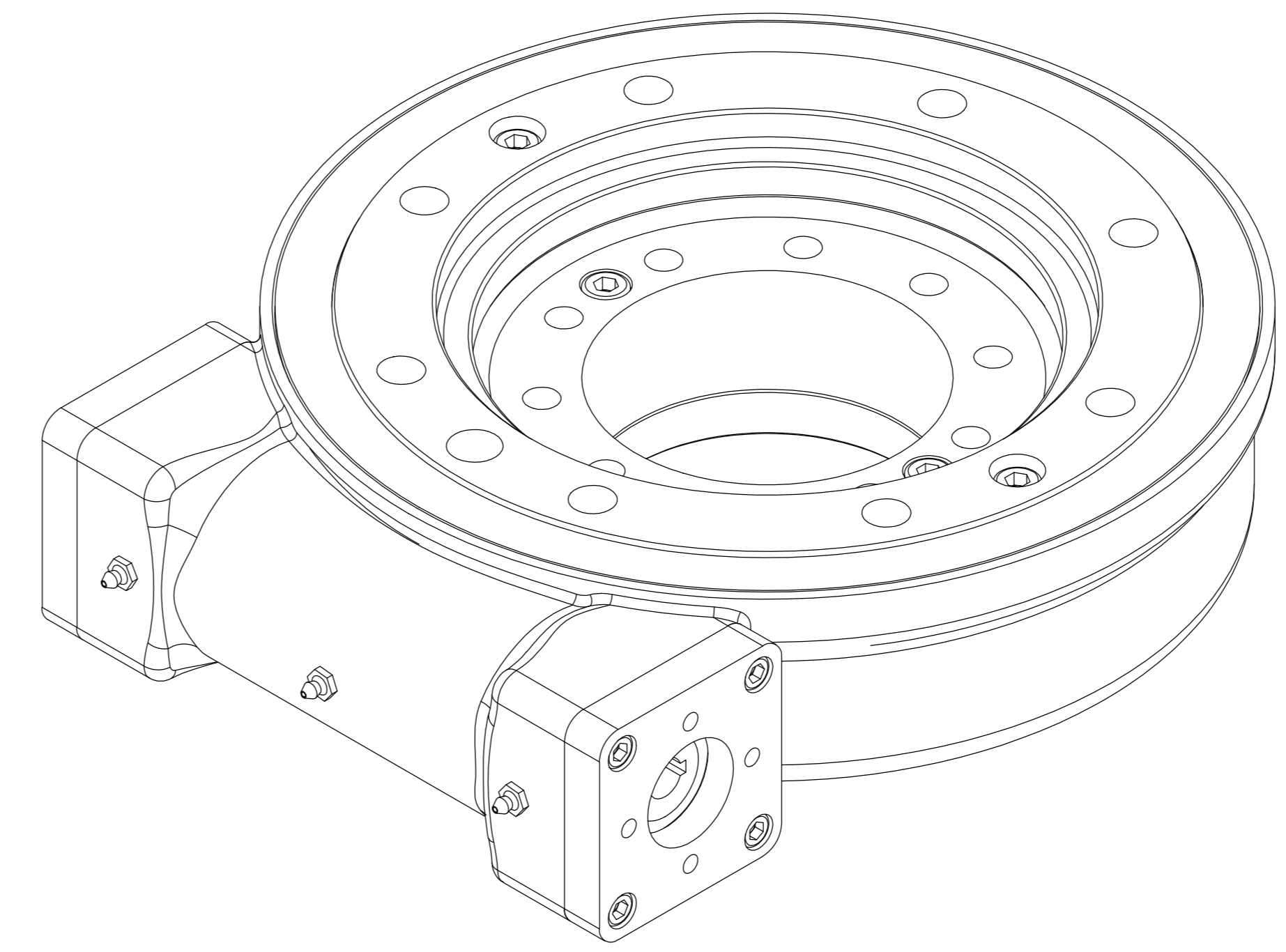
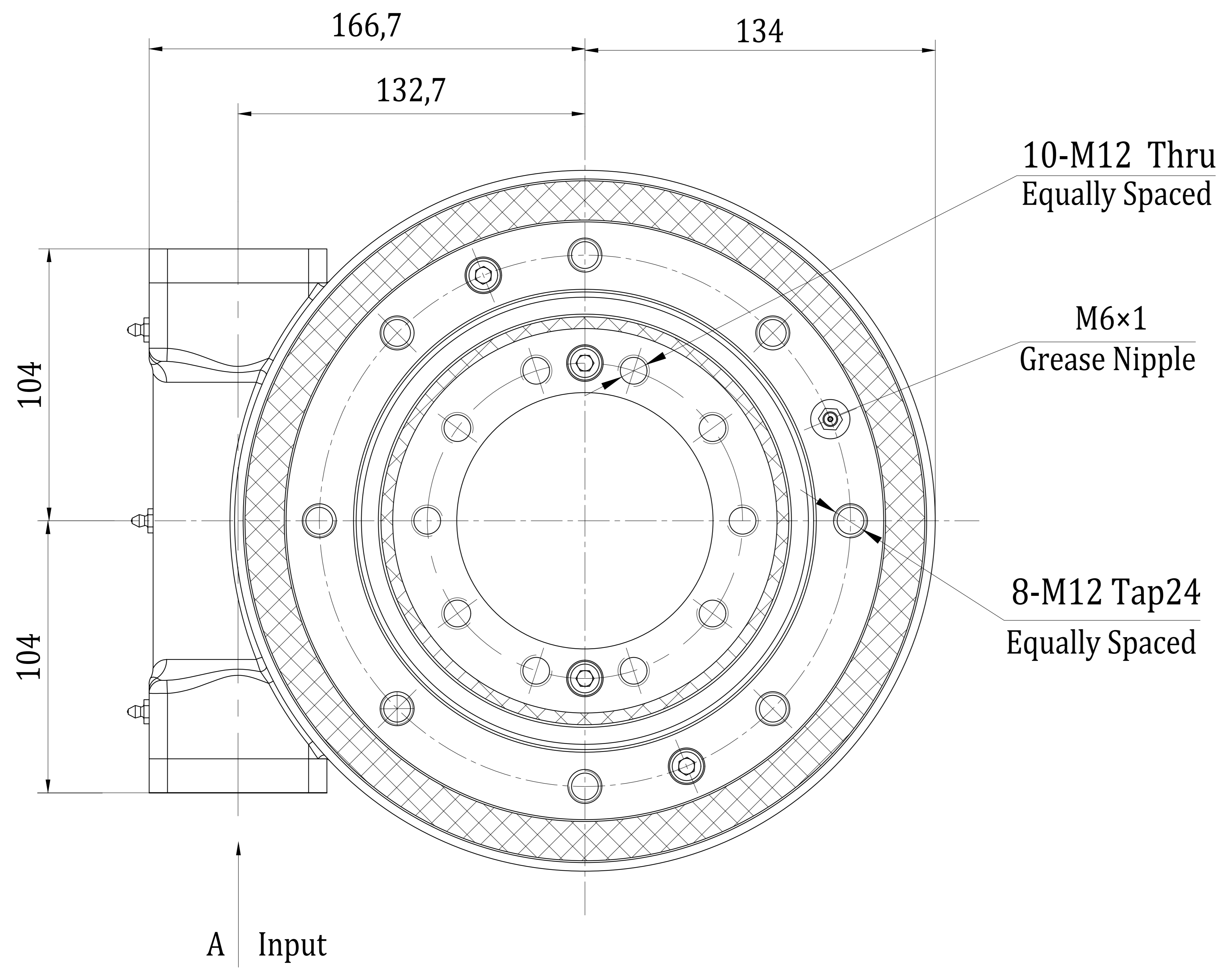
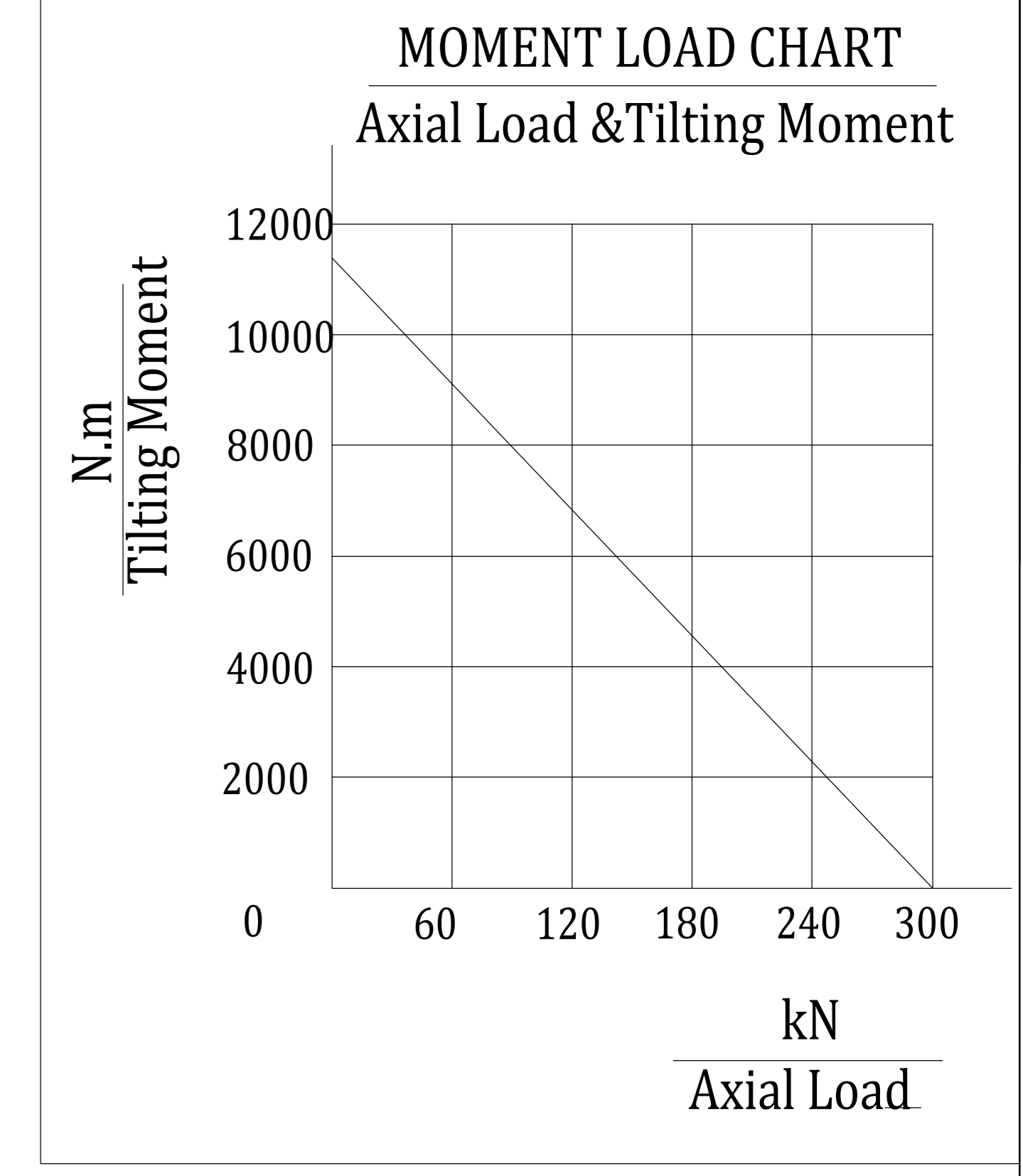
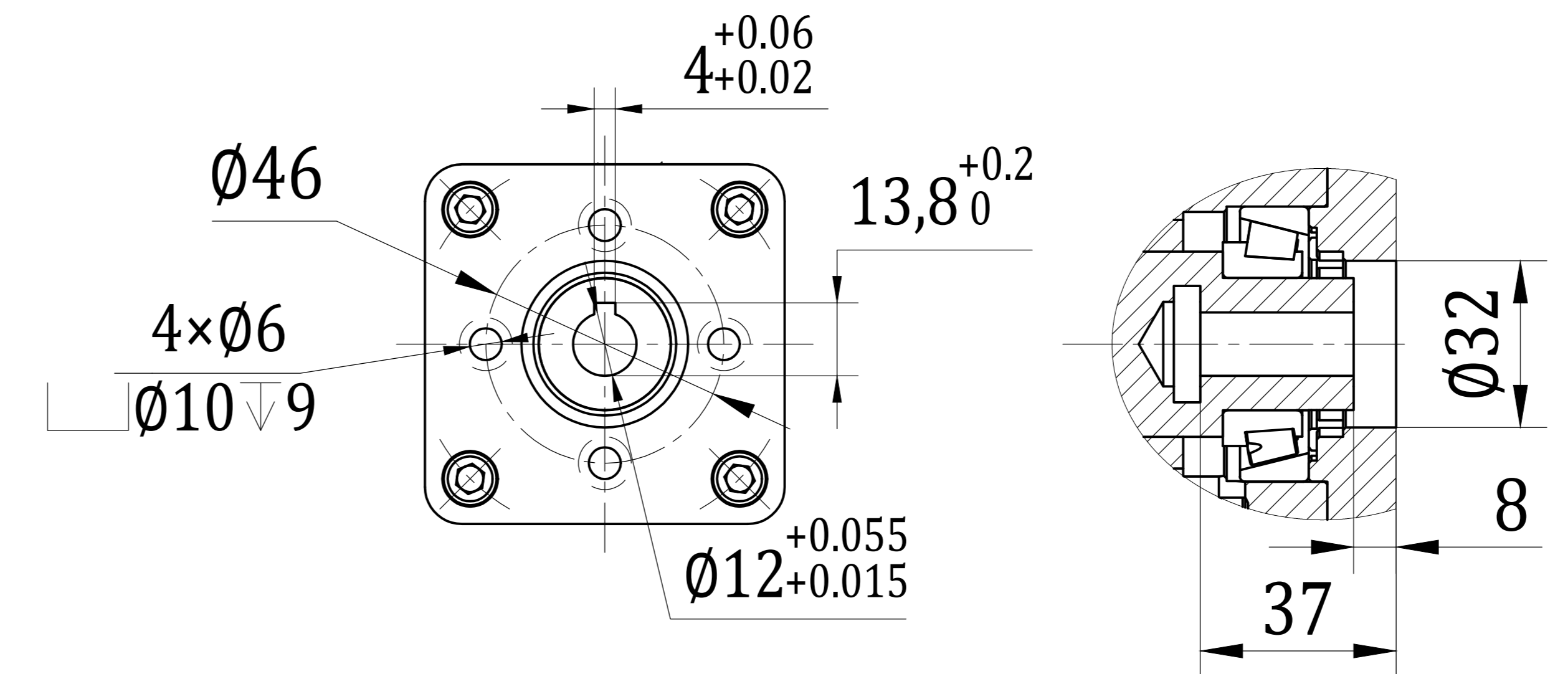
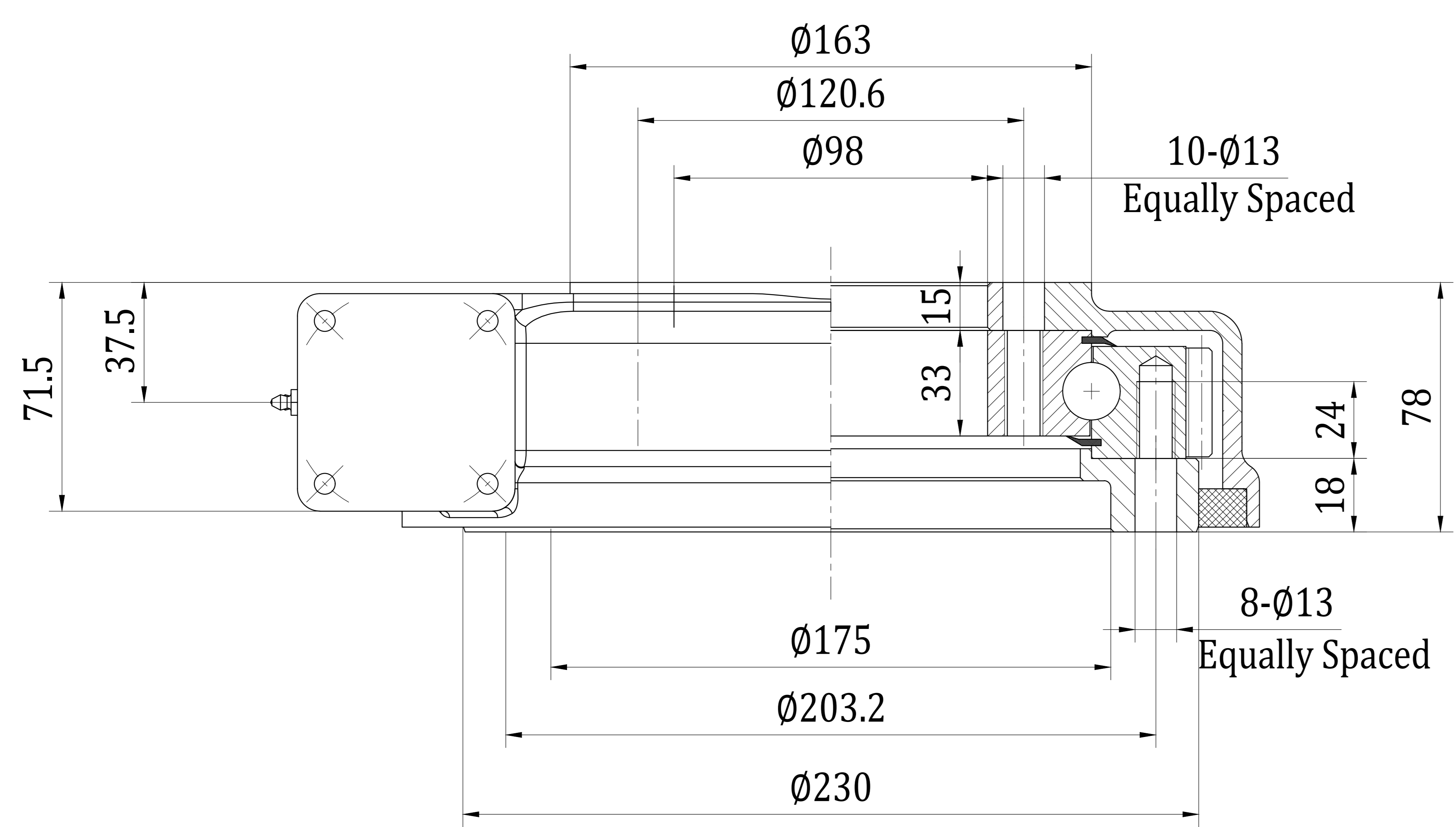



Slewing Drive Performance Parameters		
Rated Output Speed	<3rpm	
Output Torque (max)	1500N.m	1107 lbf.ft
Tilting Moment	13500 N.m	9958 lbf.ft
Holding Torque	10400N.m	7671 lbf.ft
Static Axial Rating	133 kN	29925 lbf
Static Radial Rating	53 kN	11925 lbf
Dynamic Axial Rating	32 kN	7200 lbf
Dynamic Radial Rating	28 kN	6300 lbf
Gear Ratio	71:1	
Precision	≤0.2°	



Input
Ø12 (Ø12 hole)



REV	DATE	REVISER	REVISER		
DESIGNED BY	2019/8/1	Li Ming	 www.coresundrive.com Coresun Drive Equipment Changzhou Co., Ltd.		
CHECKED BY	2019/8/1	Rui Wang			
APPROVED BY	2019/8/1	Shane Zhang			
ALL PROPRIETARY RIGHTS IN THE SUBJECT MATTER HERE OF ARE RESERVED, AND NO PERMISSION IS GRANTED OR TO DISCLOSE REPRODUCE THIS PRINT IN WHOLE OR IN PART, ANY OF THE INFORMATION TO OTHERS.			WEIGHT	SCALE	Slewing Drive
SYMBOLS ISO				1:3	
			SIZE	A3	SC7-71-12RC
			SHEET	1/1	
					REV
					A